

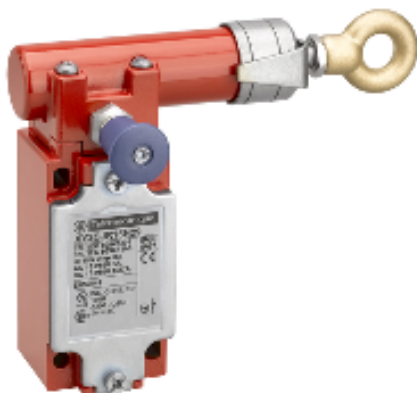
# XY2CJR19

Latching emergency stop rope pull switch,  
Telemecanique rope pull switches XY2C, e  
XY2CJ, right side, 2NC+1 NO, Pg13.5



Product availability: Non-Stock - Not normally stocked in distribution facility

Price\*: 110.00 USD



## Main

|                           |  |
|---------------------------|--|
| Range of product          | Telemecanique Emergency stop rope pull switches XY2C |
| Product or Component Type | Latching emergency stop rope pull switch             |
| Device short name         | XY2C   |
| Housing colour            | Red RAL 3000   |
| Overvoltage category      | Class I conforming to EN/IEC 61140                   |

## Complementary

|                               |   |
|-------------------------------|---|
| Local signalling              | Color indicator   |
| Number of cables              | 1   |
| Trigger cable maximum length  | 98.43 Ft (30 m)   |
| Body Material                 | Zamak   |
| Cover Material                | Galvanised steel  |
| Reset                         | By pull button  |
| Contacts type and composition | 2 NC + 1 NO   |
| Contact operation             | Slow-break  |
| Trigger cable anchor point    | RH side   |
| Connections - terminals       | Screw clamp terminal, 1 x 0.34...1 x 1 mm <sup>2</sup><br>Screw clamp terminal, 1 x 0.34...2 x 0.75 mm <sup>2</sup>   |
| Tightening torque             | 7.08...10.62 Lbf.In (0.8...1.2 N.m)   |
| Cable entry number            | 1 tapped entry Pg 13.5 cable gland  |
| Safety level                  | Can reach PL = e with the appropriate monitoring system and correctly wired conforming to EN/ISO 13849-1<br>Can reach category 4 with the appropriate monitoring system and correctly wired conforming to EN/ISO 13849-1<br>Can reach SIL 3 with the appropriate monitoring system and correctly wired conforming to EN/IEC 61508 |
| Safety reliability data       | B10d = 500000 value given for a life time of 20 years limited by mechanical or contact wear IEC 60947-5-5   |
| Marking                       | CE  |
| Mechanical durability         | 100000 Cycles   |

|  |  |
|--|--|
| Distance between cable supports              | 16.40 Ft (5 m)   |
| [Ie] rated operational current               | 0.1 A 250 V, DC-13, R300 EN/IEC 60947-5-1 appendix A<br>1.5 A 240 V, AC-15, B300 EN/IEC 60947-5-1 appendix A |
| [Ithe] conventional enclosed thermal current | 6 A  |
| [Ui] rated insulation voltage                | 400 V 3)EN/IEC 60947-1<br>300 VUL 508<br>300 VCSA C22.2 No 14  |
| [Uimp] rated impulse withstand voltage       | 4 KV EN/IEC 60947-1  |
| Positive opening                             | With conforming to EN/IEC 60947-5-1  |
| Maximum resistance across terminals          | 25 MOhm conforming to EN/IEC 60255-7 category 3<br>25 MOhm conforming to NF C 93-050 method A                |
| Short-circuit protection                     | 6 A cartridge fuse gG EN/IEC 60269   |
| Terminals description ISO n°1                | (13-14)NO<br>(21-22)NC<br>(31-32)NC  |
| Product Weight                               | 1.47 Lb(US) (0.669 kg)   |
| Compatibility code                           | XY2CJ  |

## Environment

|                                       |   |
|---------------------------------------|---|
| Standards                             | Work equipment directive 2009/104/EC<br>EN/IEC 60947-5-1<br>Machinery directive 2006/42/EC<br>EN/IEC 60947-5-5<br>CSA C22.2 No 14<br>EN/IEC 60204-1<br>EN/ISO 13850<br>UL 508 |
| Product certifications                | UL category NISD emergency stop devices<br>CSA<br>CCC<br>EAC  |
| Protective treatment                  | TC  |
| Ambient Air Temperature for Operation | -13...158 °F (-25...70 °C)  |
| Ambient Air Temperature for Storage   | -40...158 °F (-40...70 °C)  |
| Vibration resistance                  | 10 gn 10...150 Hz)EN/IEC 60068-2-6  |
| Shock resistance                      | 50 gn 11 ms conforming to EN/IEC 60068-2-27   |
| IP degree of protection               | IP66 conforming to IEC 60529<br>IP67 conforming to IEC 60529  |

## Ordering and shipping details

|                       |                                   |
|-----------------------|-----------------------------------|
| Category              | 22441 - LIMIT SWITCHES,CABLE PULL |
| Discount Schedule     | T                                 |
| GTIN                  | 03389119619479                    |
| Nbr. of units in pkg. | 1                                 |
| Package weight(Lbs)   | 27.94 Oz (792 g)                  |
| Returnability         | No                                |
| Country of origin     | ID                                |

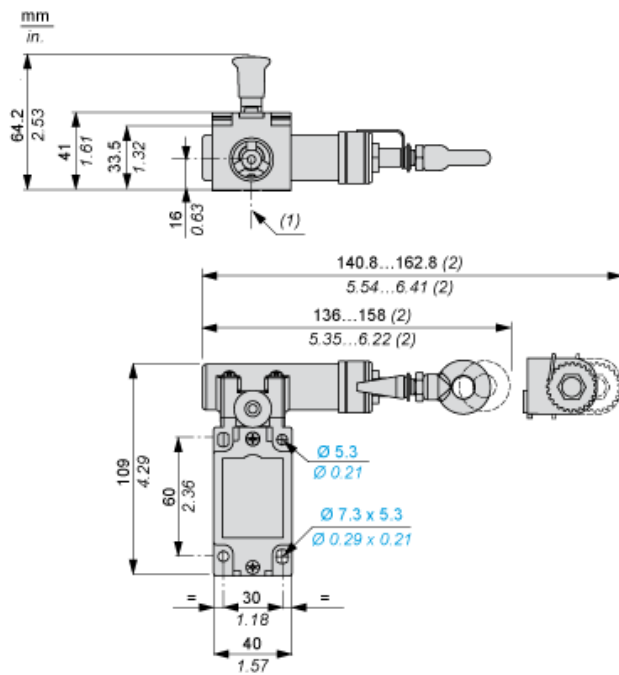
## Packing Units

|                        |                   |
|------------------------|-------------------|
| Unit Type of Package 1 | PCE               |
| Package 1 Height       | 3.54 In (9 cm)    |
| Package 1 width        | 6.38 In (16.2 cm) |
| Package 1 Length       | 7.99 In (20.3 cm) |

## Offer Sustainability

|                            |  |
|----------------------------|--|
| Sustainable offer status   | Green Premium product  |
| California proposition 65  | WARNING: This product can expose you to chemicals including: Diisononyl phthalate (DINP), which is known to the State of California to cause cancer, and Diisodecyl phthalate (DIDP), which is known to the State of California to cause birth defects or other reproductive harm. For more information go to <a href="http://www.P65Warnings.ca.gov">www.P65Warnings.ca.gov</a> |
| REACH Regulation           | <a href="#">REACH Declaration</a>  |
| EU RoHS Directive          | Pro-active compliance (Product out of EU RoHS legal scope) <a href="#">EU RoHS Declaration</a>   |
| Mercury free               | Yes  |
| RoHS exemption information | <a href="#">Yes</a>  |
| Environmental Disclosure   | <a href="#">Product Environmental Profile</a>  |

Dimensions

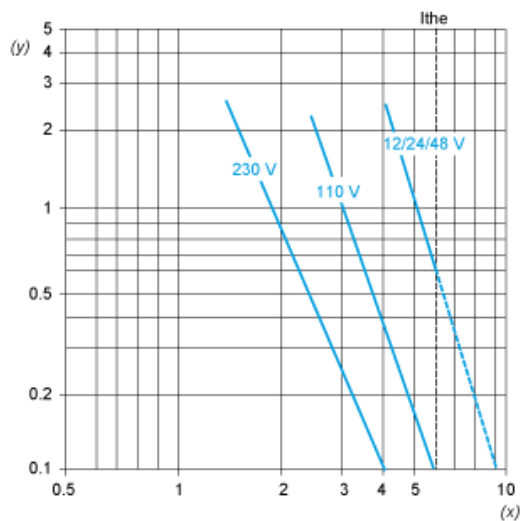


- (1) Tapped entry for n° 13 (Pg 13.5) cable entry
- (2) Maximum extension.

Electrical Curves

AC Supply 50/60 Hz Inductive Circuit

3-pole Contact Block



Y Millions of operating cycles  
X Current in A

DC Supply Power Broken in for 1 Million Operating Cycles Inductive Circuit

|          |   |    |    |     |
|----------|---|----|----|-----|
| Voltage  | V | 24 | 48 | 120 |
| $i_{mm}$ | W | 4  | 3  | 2   |

Product Life Status : **Commercialised**